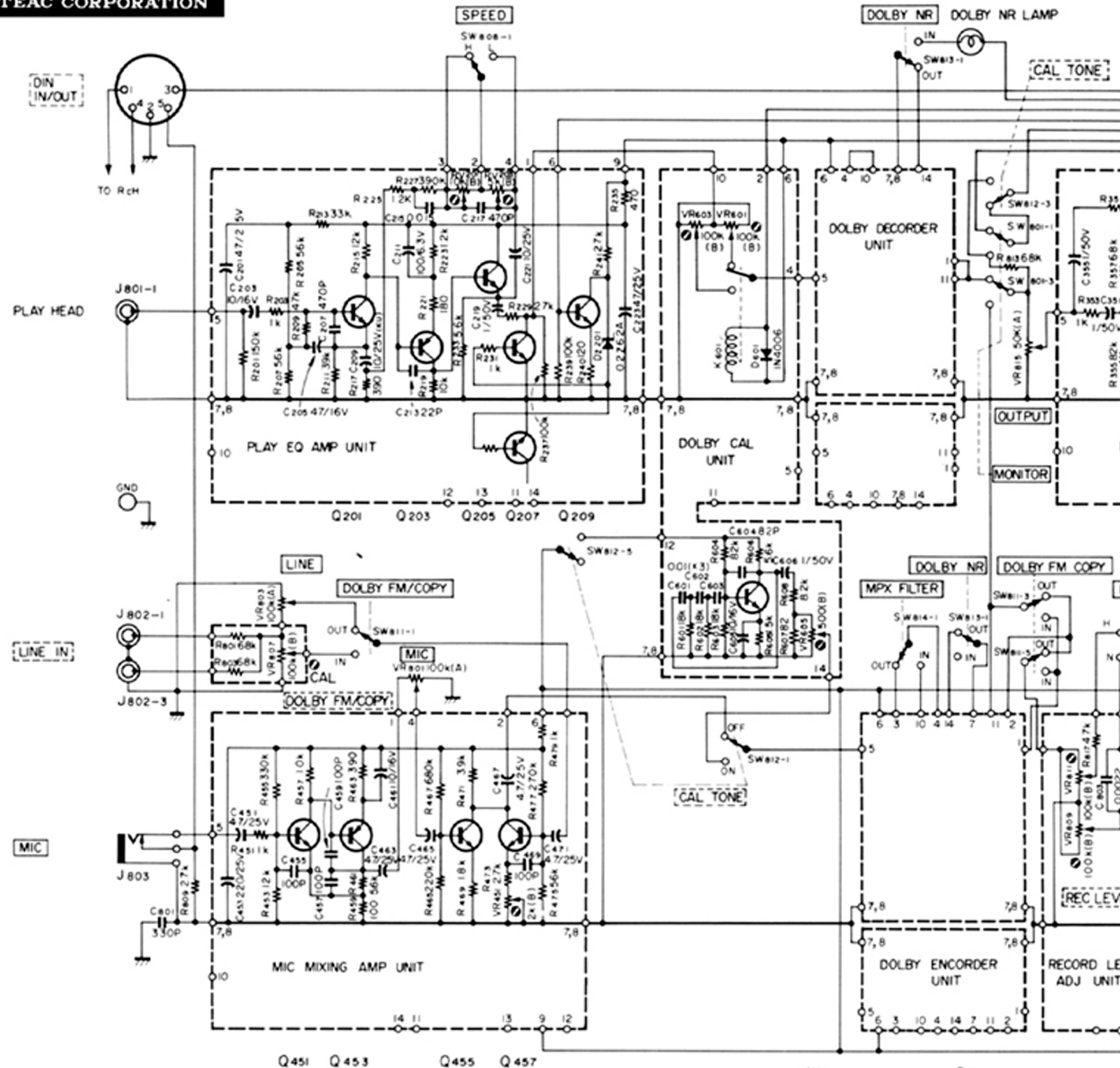


PREAMPLIFIER

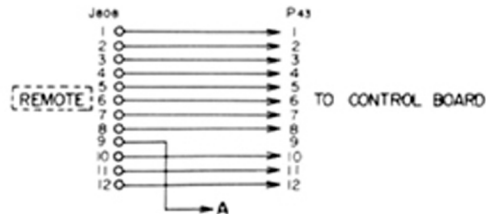
MODEL NO. _____ SHEET NO. _____

A-5500

TEAC CORPORATION



CIRCUIT REF. NO.	DESCRIPTION	CIRCUIT REF. NO.	DESCRIPTION
Q201/202	2SC1000(BL)	Q455/456	2SC644(T)
Q203/204	2SA494(Y)	Q457/458	2SC644(T)
Q205/206	2SC1000(BL)	Q501/502	2SC644(T)
Q207/208	2SC1000(BL)	Q503/504	2SC644(T)
Q209	2SC1000(BL)	Q505/506	2SC644(T)
		Q507/508	2SC1000(BL)
Q351/352	2SC644(T)	Q509	2SC1000(BL)
Q353/354	2SC644(T)	Q401	2SD235(O)
Q355/356	2SC828(S)	Q402	2SC734(Y)
		Q551/552	2SC1226A(P)
Q451/452	2SC1327(T)	Q553	2SC1384(Q)
Q453/454	2SA572(YL)	Q601	2SC1000(BL)



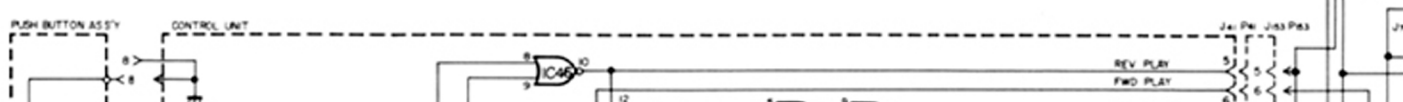
NOTES
 Schematic Diagram Shown in the Left Channel Only
 Double Symbol Number Shown in the Left/Right Channel
 All Resistors Values in Ohms, 1/4 Watt, k=1,000 Ohms
 All Capacitors Values in Microfarads
 ○ : SCREWDRIER Adj
 □ : ON FRONT PANEL
 - - - : ON REAR PANEL

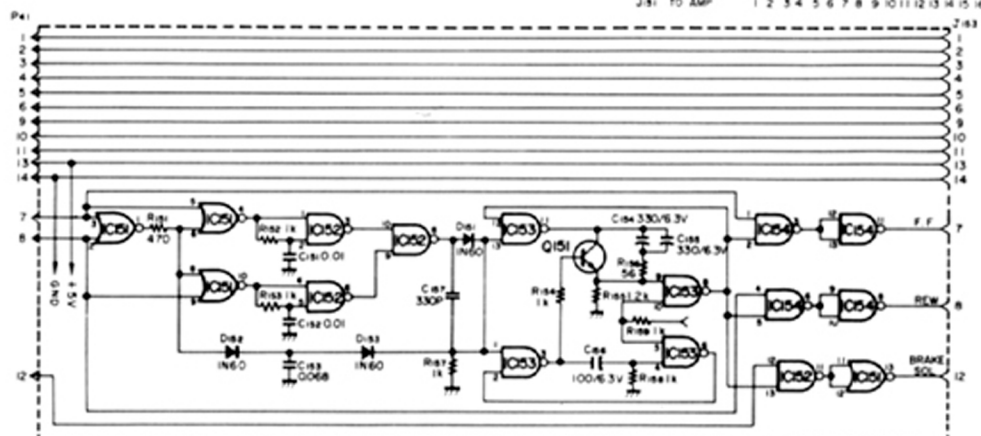
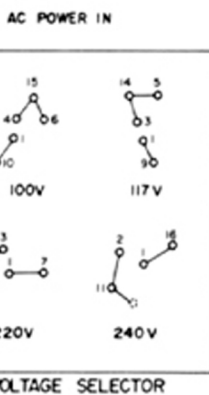
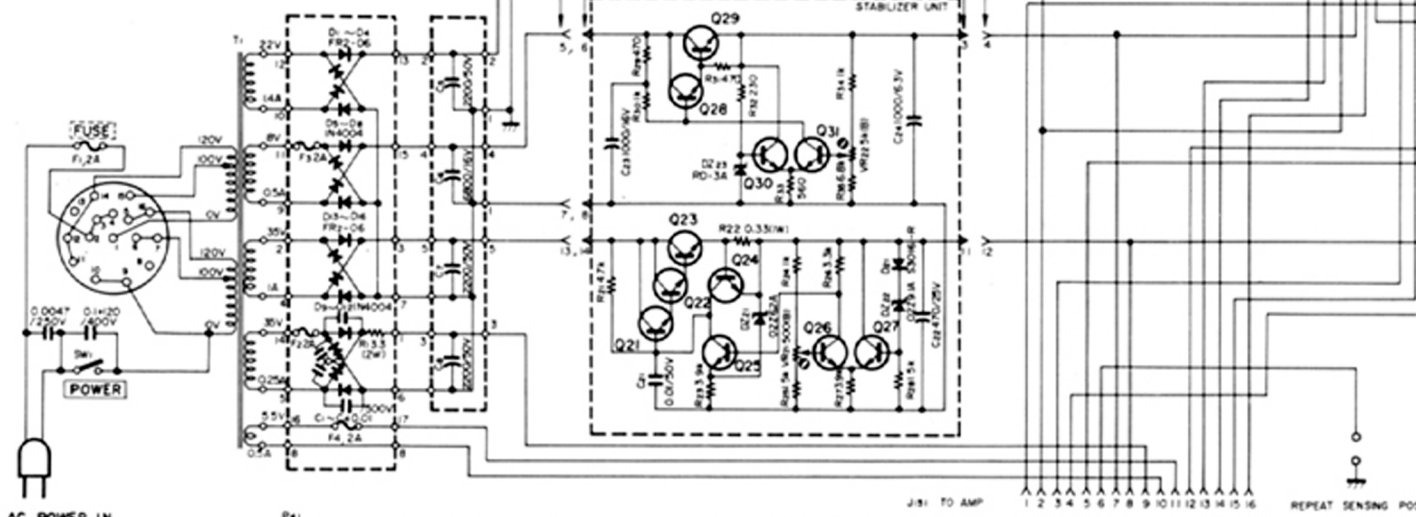
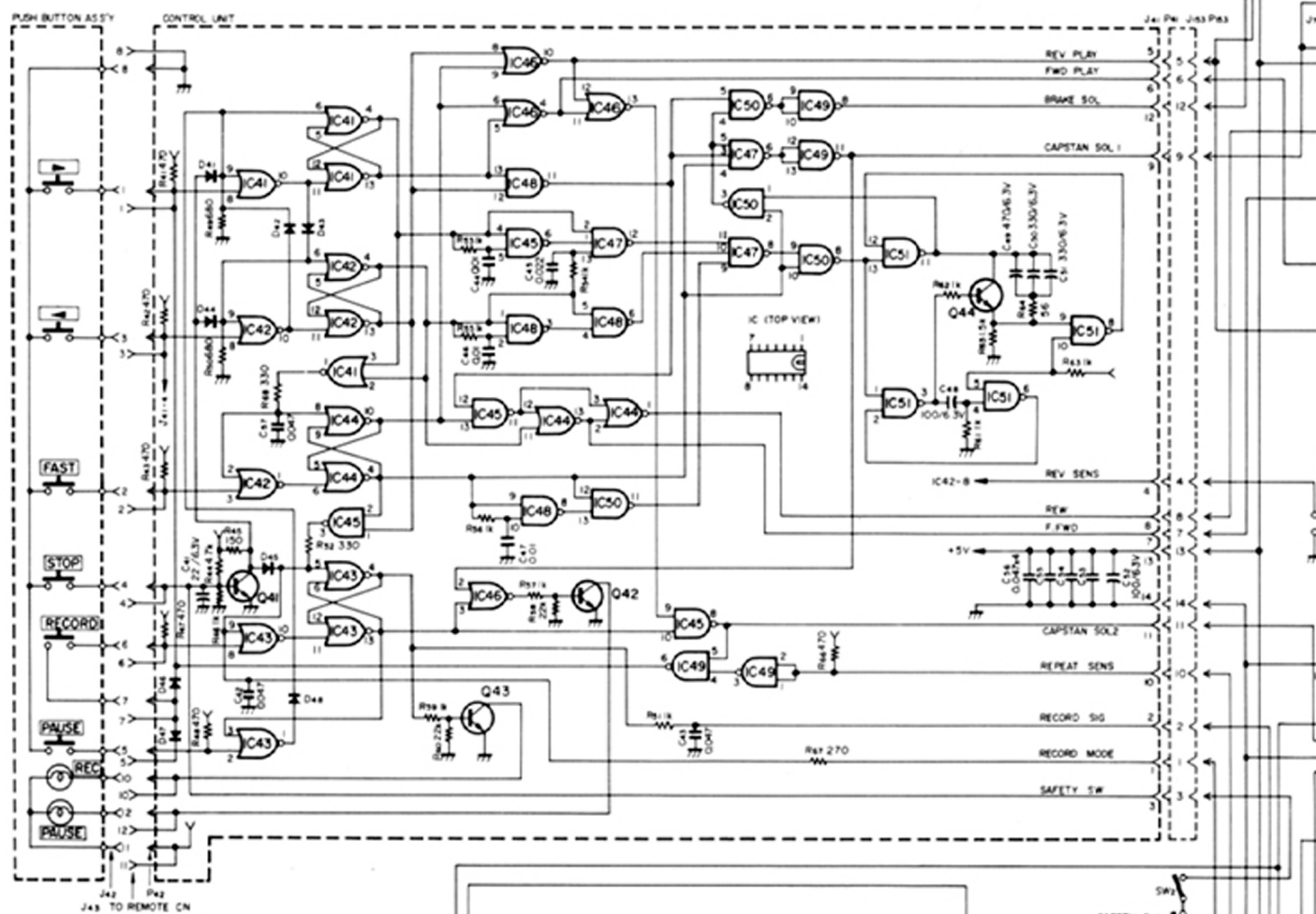
TAPE TRANSPORT

MODEL NO. _____ SHEET NO. _____

A-5500/A-5300

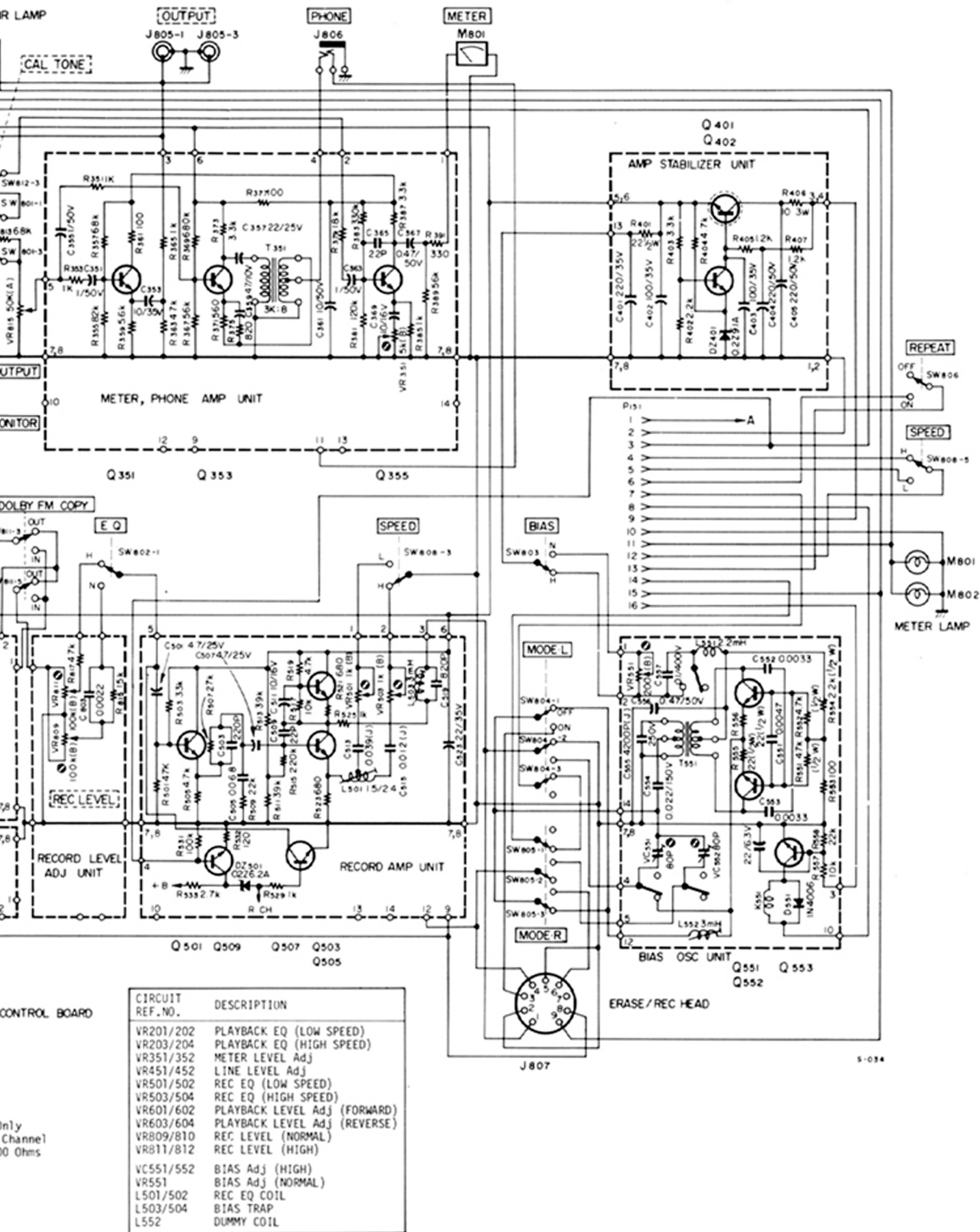
TEAC CORPORATION





NOTES
 DIAGRAM SHOWN IN
 ○ : SCREWMOUNT

CIRCUIT REF. NO.	DESCRIPTION
IC41-IC44	SN7400
IC45	SN7401
IC46	SN7402
IC47	SN7403
IC48-IC51	SN7404
IC52	SN7405
IC53	SN7406
IC54	SN7407
Q71	2SC108
Q72	2SA103



R LAMP

OUTPUT

PHONE

METER

CAL TONE

J805-1 J805-3

J806

M801

Q 401
Q 402

AMP STABILIZER UNIT

REPEAT

SPEED

OUTPUT

MONITOR

METER, PHONE AMP UNIT

Q 351

Q 353

Q 355

DOLBY FM COPY

EQ

SPEED

BIAS

REC LEVEL

RECORD LEVEL ADJ UNIT

RECORD AMP UNIT

MODE L

MODE R

BIAS OSC UNIT

ERASE/REC HEAD

M801

M802

METER LAMP

Q 501

Q 509

Q 507

Q 503

Q 505

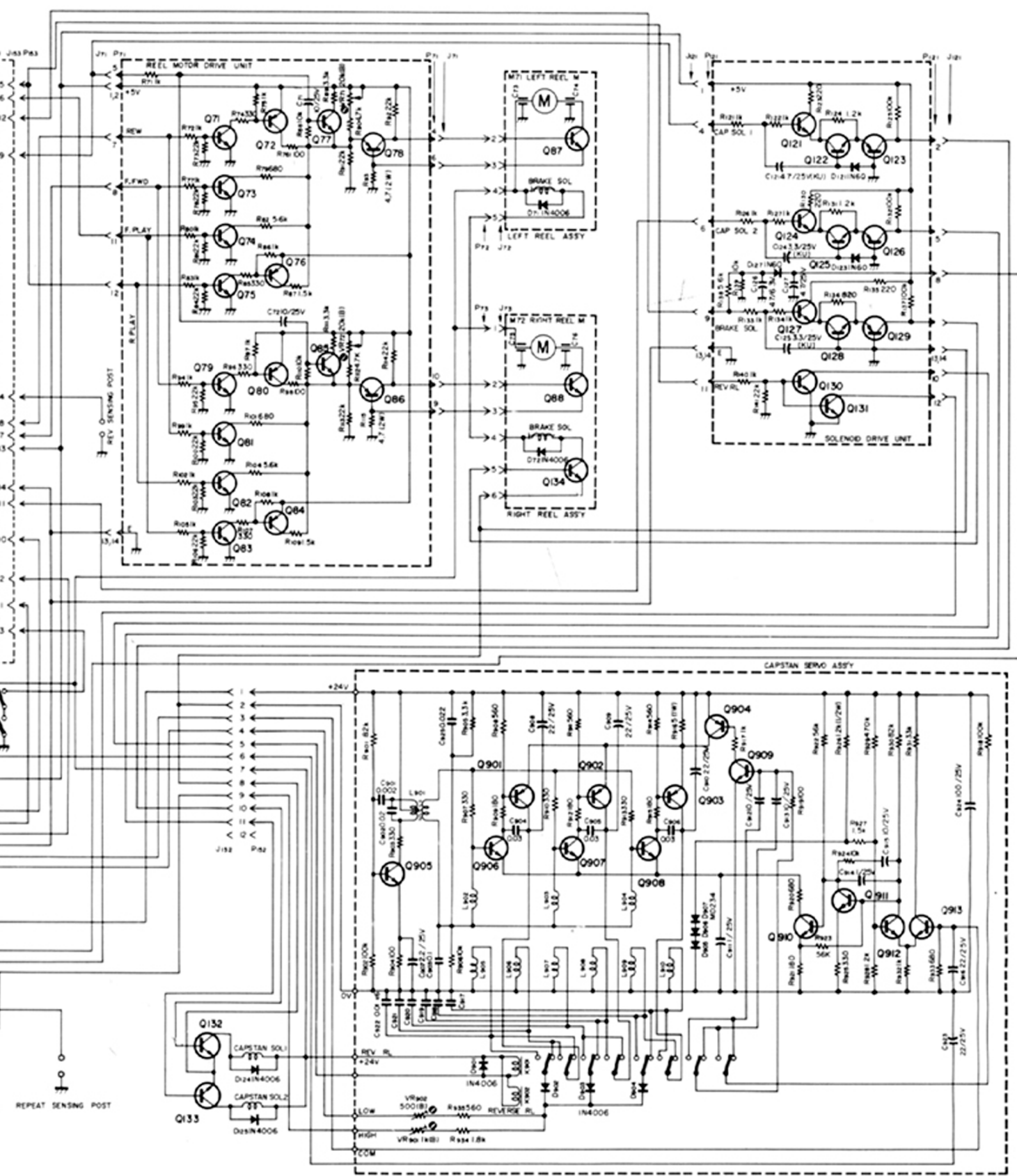
Q 551

Q 553

Q 552

J807

5-034



5-038-1

NOTES
 DIAGRAM SHOWN IN THE STOP MODE
 Ⓞ : SCREWDRIIVER ADJUSTMENT

CIRCUIT REF. NO.	DESCRIPTION	CIRCUIT REF. NO.	DESCRIPTION	CIRCUIT REF. NO.	DESCRIPTION	CIRCUIT REF. NO.	DESCRIPTION
IC41-IC44	SN7402N	Q73-Q75	2SC828(S)	Q88	2SD235(O)	Q21	2SC828(S)
IC45	SN7400N	Q76	2SA564(Q)	Q130	2SC1384(Q)	Q22	2SC1384(Q)
IC46	SN7402N	Q77	2SC828(S)	Q131	2SC1000(BL)	Q23	2SD235(O)
IC47	SN7410N	Q78	2SA564(Q)	Q132-Q134	2SD235(O)	Q24-Q28	2SC828(S)
IC48-IC51	SN7400N	Q79	2SC828(S)	Q121, Q122	2SC828(S)	Q29	2SD235(O)
IC51	SN7402N	Q80	2SA564(Q)	Q124, Q125	2SC828(S)	Q30, Q31	2SC828(S)
IC52	SN7402N	Q81-Q83	2SC828(S)	Q127, Q128	2SC828(S)	Q151	2SC1000(BL)
IC53	SN7402N	Q84	2SA564(Q)	Q123, Q126	2SA564(Q)	Q901-Q903	2SB512(P)
IC54	SN7400N	Q85	2SC828(S)	Q129	2SA564(Q)	Q904	2SA634
Q71	2SC828(S)	Q86	2SA564(Q)	Q130	2SC1384(Q)	Q905-Q913	2SC945
Q72	2SA564(Q)	Q87	2SD235(O)	Q131	2SC1000(BL)		